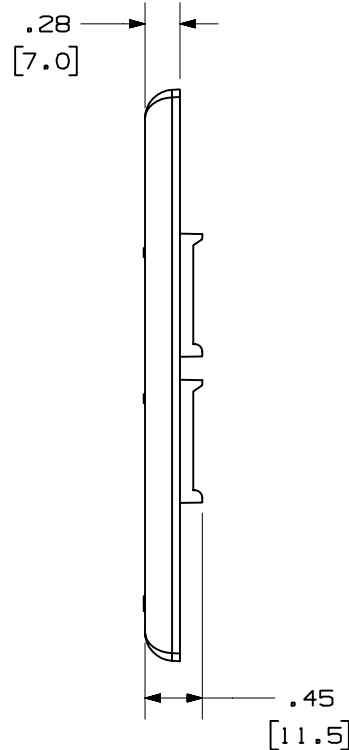
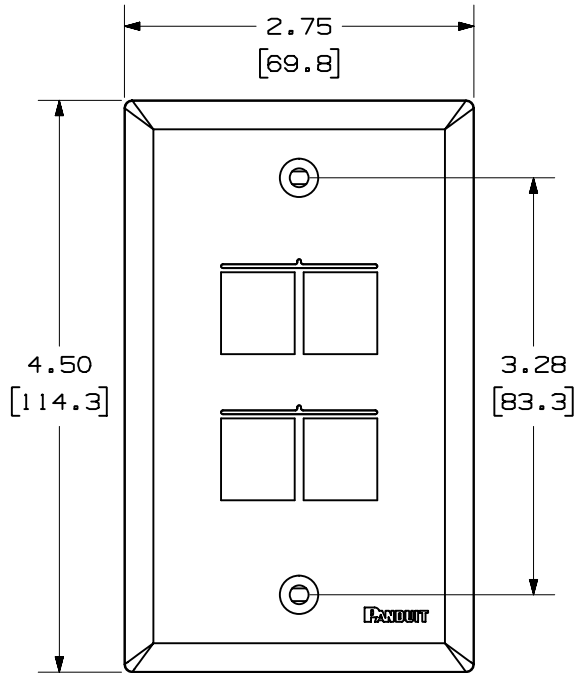


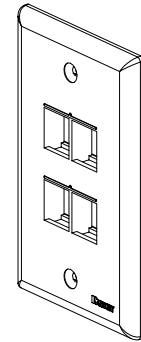
THIS COPY IS PROVIDED ON A RESTRICTED BASIS AND IS NOT TO BE USED IN ANY WAY DETRIMENTAL TO THE INTERESTS OF PANDUIT CORP.

PANDUIT P/N	WEIGHT
NK4FN**	.62 LB/10 PCS (280.5 g/10 PCS)



NOTES:

1. SEE CURRENT CATALOG FOR ADDITIONAL PART NUMBER SUFFIXES TO INDICATE COLOR AND OR PACKAGE QUANTITY.
2. SEE CATALOG FOR COMPLETE LIST OF PARTS APPLICABLE FOR USE WITH THIS PART.
3. DIMENSIONS IN PARENTHESES ARE IN METRIC.
4. PART INCLUDES:  
1- FACEPLATE  
2- COLOR COORDINATED MOUNTING SCREW (#6-32X 1.00")



MODEL FILENAME	M02062BC_NKFP4_01.PRT	SIZE <b>A</b>
DRAWING FILENAME	M02062BC_DC_01A.PRT	

NETKEY™ 4 POSITION  
VERTICAL CLASSIC SERIES  
FACEPLATE CUSTOMER DRAWING

 <b>PANDUIT</b> ™ CORP. TINLEY PARK, ILL 60477	I.I. NUMBER	N/A
	PRODUCT SPEC	N/A
	WORK INSTRUCTION	N/A
	SCALE	NONE
 THIRD ANGLE PROJECTION	ALL DIMENSIONS ARE GIVEN IN INCHES, UNLESS OTHERWISE SPECIFIED.	
	DIMENSIONAL TOLERANCES ARE: (.X) ± (.XXX) ± .010(.3) (.XX) ±.03(.8) ANGLES ±	
DRAWN BY JsP	REVIEW DRAWING NUMBERS	PART NO. NK4FN**
DATE 8-16-04	MATERIAL: ABS	DRAWING NO. 02062-06

REV	DATE	BY	CHK	DESCRIPTION	ECN	R	CUST	SUP	OTH
R	8-16-04	JsP		RELEASED TO PRODUCTION	02062-06				